

A

B

C

D

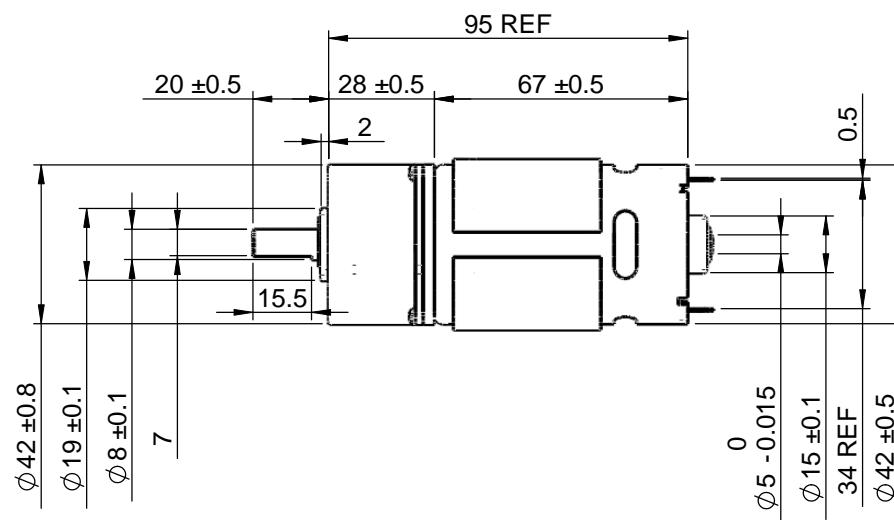
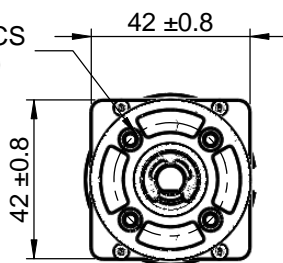
A

B

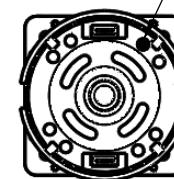
C


D

M4x0.7x4PCS  
P.C.D  $\phi$ 30



(此紅點為正極)



MODEL		NO LOAD		AT MAXIMUM EFFICIENCY					Gendr Ratio	 THIRD ANGLE PROJECTION ALL DIMENSION ARE IN MM (UNLESS OTHERWISE SPECIFIED)	製圖 設計 審核 材料 完成時間	JOANNE	Cheshire Electric Company, LLC		
JR42-J0G1A927		SPEED	CURRENT	SPEED	CURRENT	TORQUE	OUTPUT	EFF				Part No	JR42-J0G1A927		
NOMINAL	24 V DC	RPM	A	RPM	A	Kg-cm	W	%	1:40	繪製比例: 1:1	2012/5/21	Name	REV.	D	
		83	0.16	73	0.70	14.98	11.48	68.2				Gear motor	NO.		

1

2

3

4

5

6

1

2

3

4

5

6